

# Door Seal

acoustic door seals

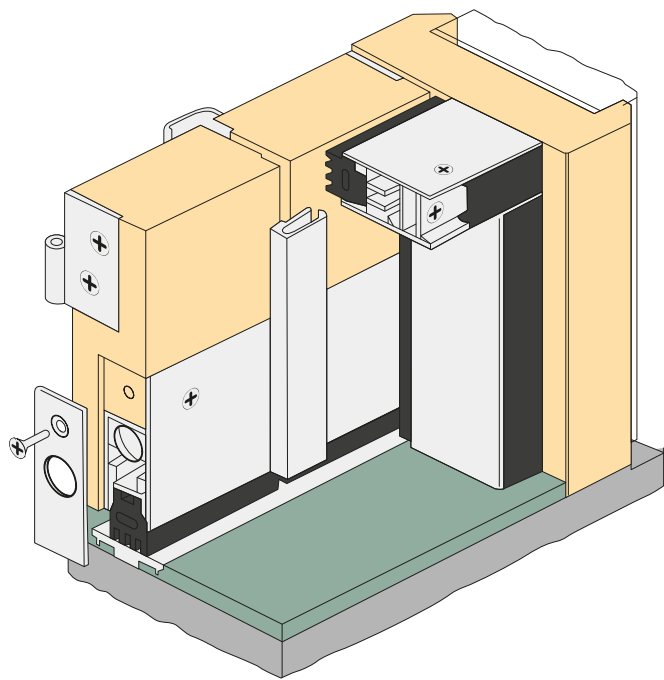


# Door Seal

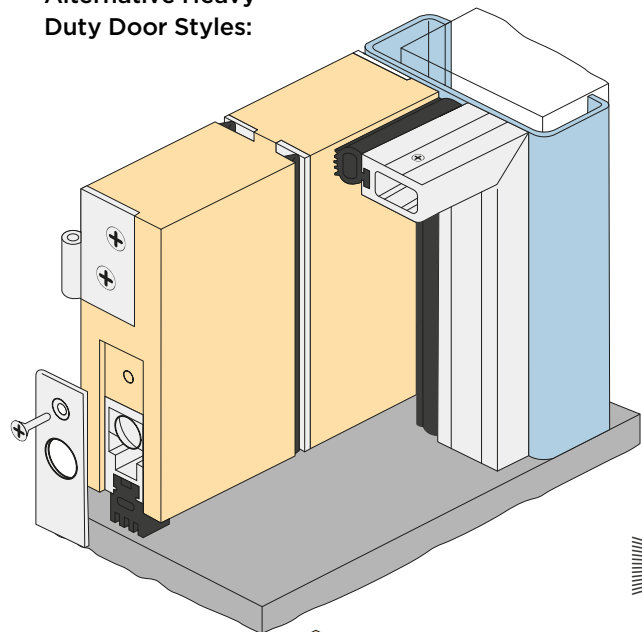
acoustic door seals

Even the smallest gap around a door reduces its ability to shut out noise. Acoustic door seals effectively close the gaps for secure, soundproof doors that meet the necessary specifications.

To maintain privacy and the required sound transmission loss ratings with acoustic door sets (frame, door and seals), we offer acoustic seals to provide a barrier to airborne sound and help ensure that the acoustic performance provided by a door set which conforms to the specified rating for the wall or partition into which it is installed.

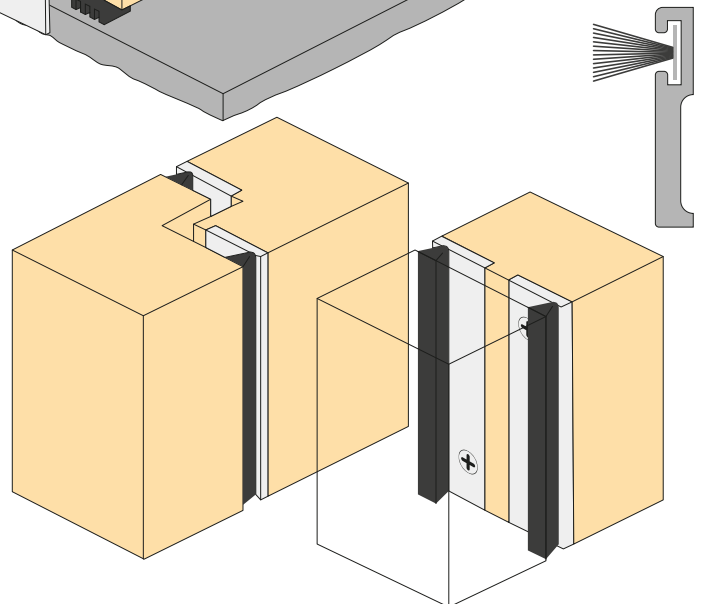


Alternative Heavy Duty Door Styles:



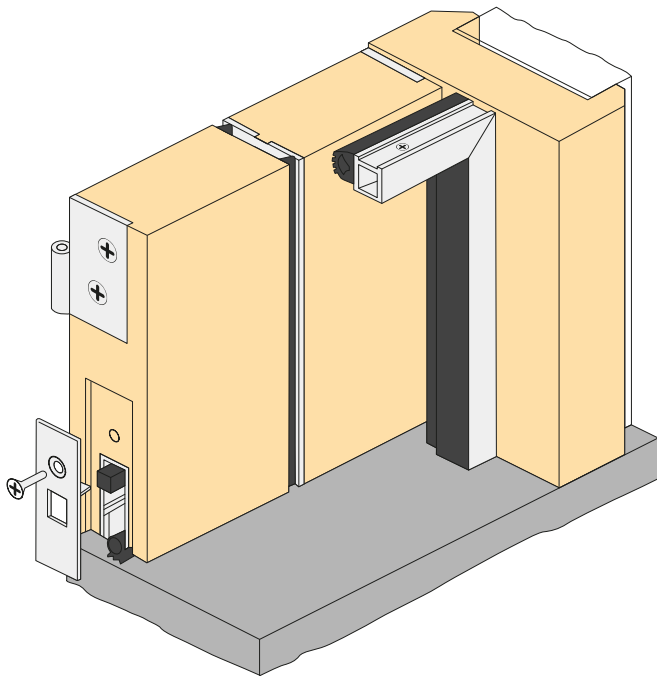
## Heavy Duty Acoustic Door Sealing Systems

An effective combination of seals for solid core doors in situations requiring a consistently high acoustic performance rating, and where these ratings must be maintained by an adjustment facility.

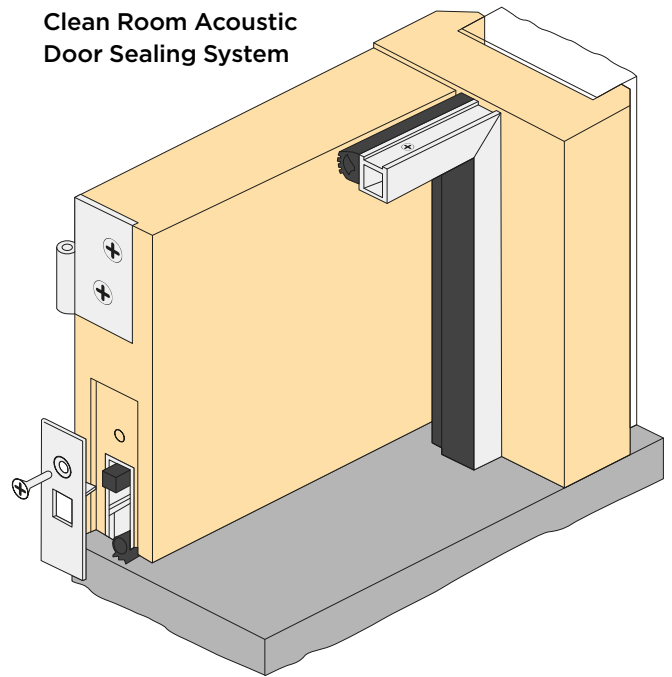


## Medium Duty Acoustic Door Sealing System

An effective combination of seals for solid core broad butt hinged doors in situations such as offices, school rooms, hotel rooms and consulting rooms.

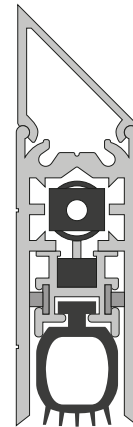
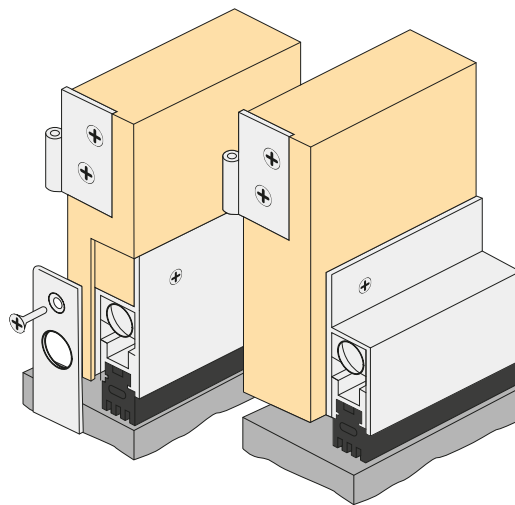


Clean Room Acoustic Door Sealing System



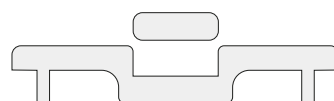
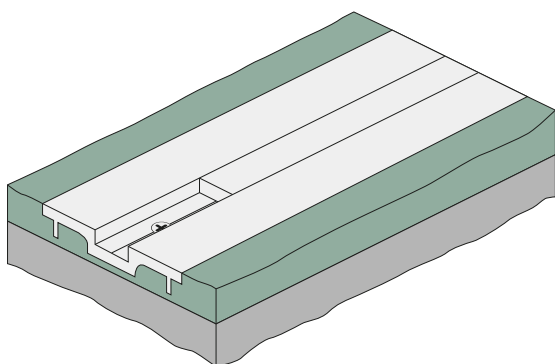
## Heavy duty spring loaded automatic door bottom seal

Lifts clear off the floor as soon as the door is opened.



## Threshold Plates

Aluminium or brass extruded Threshold Plates fitted to the sill under doors provide a clean delineation between adjacent floor surfaces and provide an optimum sealing surface for door bottom seals.



---

**Acoustica Projects Pty Limited**  
6a Nelson Street  
Annandale NSW 2038  
Australia

**+61 2 9550 2900**

**[acousticaprojects.com.au](http://acousticaprojects.com.au)**