

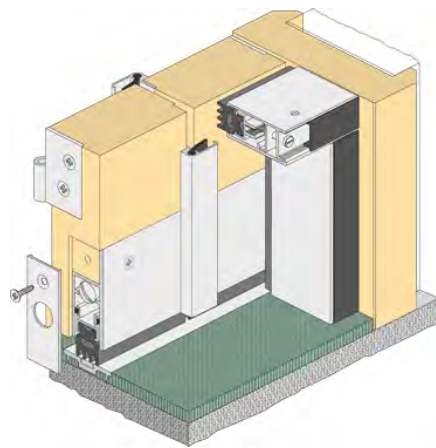


ACOUSTIC DOOR SEALING SYSTEM

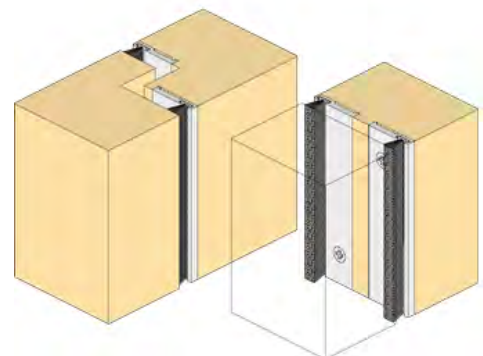
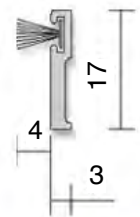
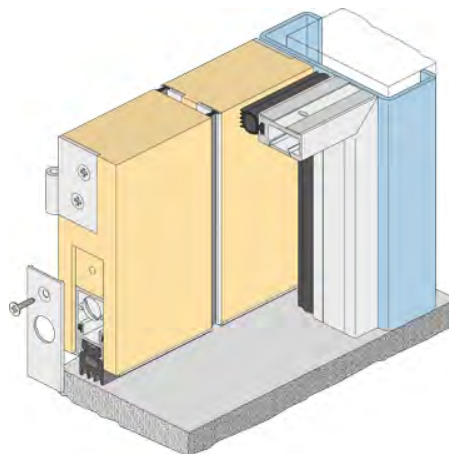
Doors can only function correctly when they have a gap between the door frame and the floor. To maintain privacy and the required sound transmission loss ratings with acoustic door sets we offer acoustic seals to provide a barrier to airborne sound and help ensure that the acoustic performance provided by a door set (frame, door and seals) conforms to the specified rating for the wall or partition into which it is installed.

Heavy Duty Acoustic Door Sealing Systems

An effective combination of seals for solid core doors in situations requiring a consistently high acoustic performance rating, and where these ratings must be maintained by an adjustment facility.



Alternative Heavy Duty Door Styles:



Grd Flr 6A Nelson St
Annandale NSW 2038
Australia

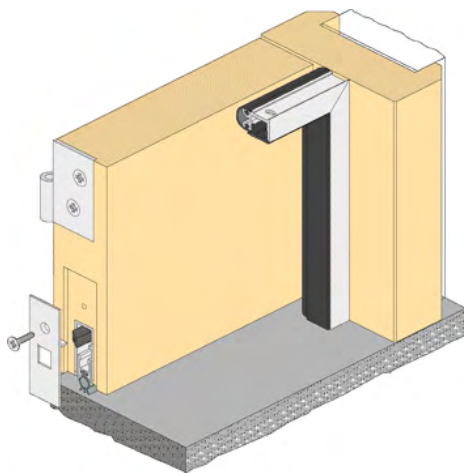
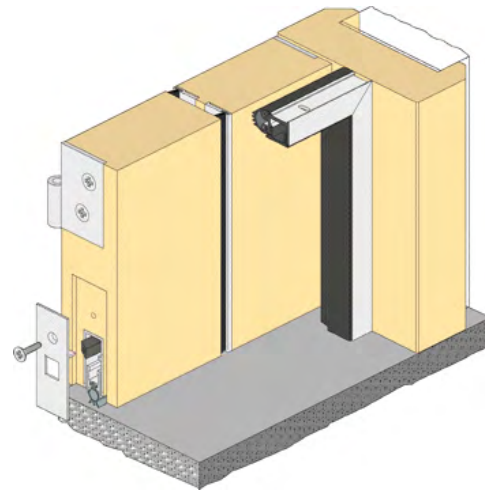
Tel: 1300 722 825
+61 2 9550 2900
Fax: +61 2 9550 5665

info@acoustica.com.au
www.acoustica.com.au

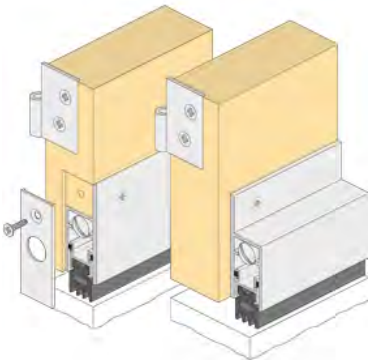
Acoustic Seals

Medium Duty Acoustic Door Sealing System

An effective combination of seals for solid core broad butt hinged doors in situations such as offices, school rooms, hotel rooms and consulting rooms.

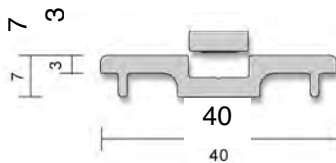
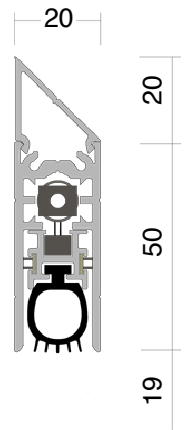


Clean Room Acoustic Door Sealing System



Heavy duty spring loaded automatic door bottom seal

Lifts clear of the floor as soon as the door is opened.



Threshold Plates

Aluminium or brass extruded Threshold Plates fitted to the sill under doors provide a clean delineation between adjacent floor surfaces and provide an optimum sealing surface for door bottom seals.

